



IPv6 Protocol (RFC 2460 DS)



Copy ...Rights

- *This slide set is the ownership of the 6DISS project via its partners*
- *The Powerpoint version of this material may be reused and modified only with written authorization*
- *Using part of this material must mention 6DISS courtesy*
- *PDF files are available from www.6diss.org*
- *Looking for a contact ?*
 - *Mail to : martin.potts@martel-consulting.ch*
 - *Or bernard.tuy@renater.fr*





Droits d'auteur ...

- L'ensemble des présentations utilisées dans le cadre de cet atelier est la propriété de 6DISS, représenté par ses différents partenaires.
- La version Powerpoint des présentations peut être réutilisée et modifiée après qu'une autorisation écrite ait été obtenue
- L'usage de tout ou partie de ce matériel doit mentionné que sa source est le projet 6DISS
- La version PDF des présentations est disponible sur www.6diss.org
- Pour tout contact :
 - Mail à Martin.Potts@martel-consulting.ch
 - Ou Bernard.Tuy@renater.fr



Agenda

- IPv6 Header
 - Comparison with IPv4
- IPv6 optional headers (extensions)
- Processing IPv6 headers
 - Comparison with IPv4





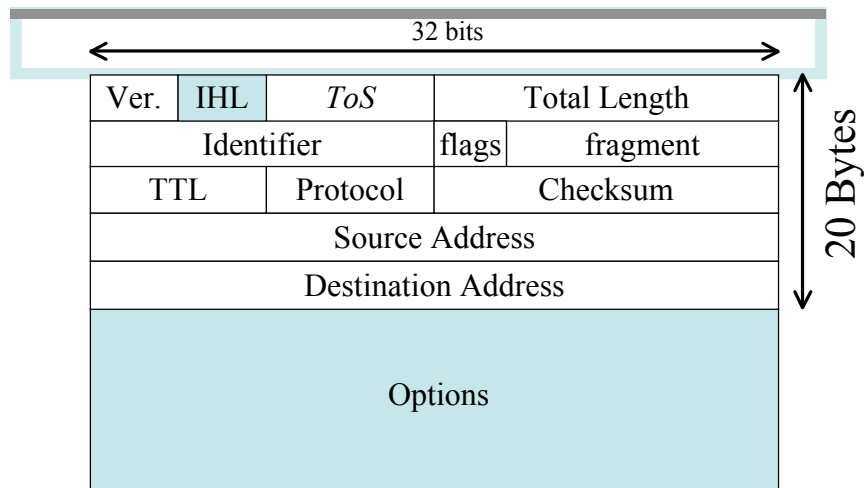
IPv6 Header

- The IPv6 header is redesigned
- Minimize header overhead and reduce the header process for most of the packets
- Less essential and option fields are moved to extension headers

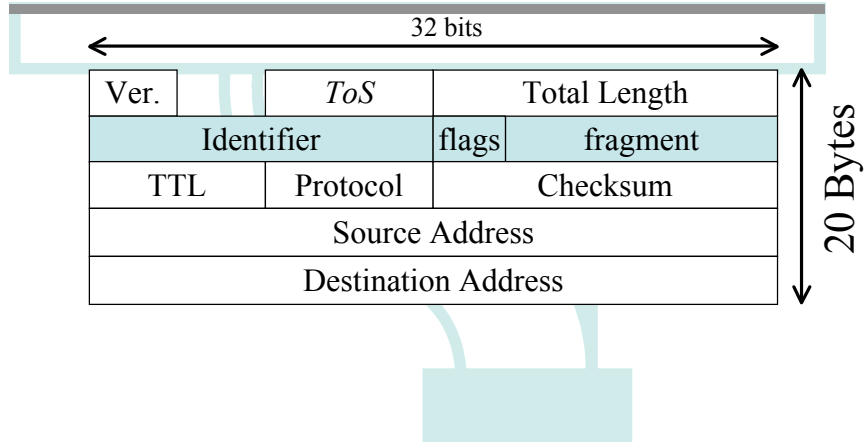
IPv6 & IPv4 headers are not interoperable



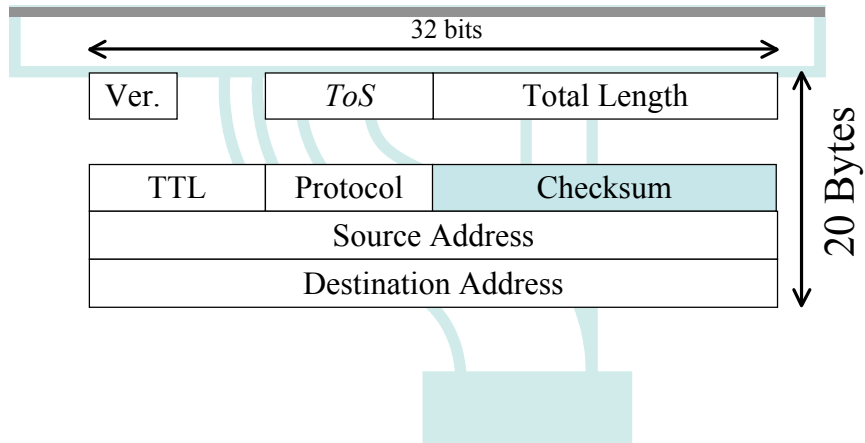
IPv4 Header



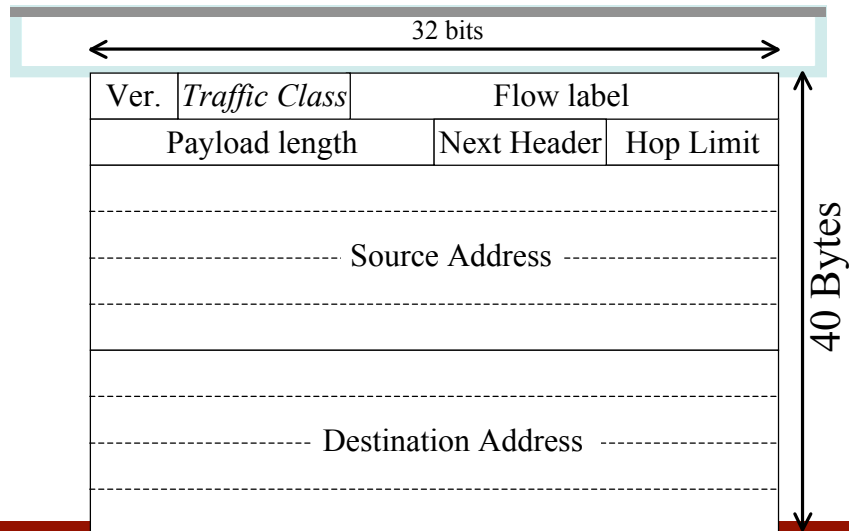
IPv4 Header



IPv4 Header



IPv6: Header simplification



IPv6 header fields

- **Version**
- **Traffic class**
 - Next slide
- **Flow label**
 - RFC 3697
- **Payload length**
 - Use Jumbogram for specific cases (payload = 0)
- **Hop limit**
- **Next header**





CoS support in IPv6

- The Traffic Class field: *used as in IPv4*
 - Work done in diffserv wg (closed): RFCs 2474, 2475, 2597, 3260, ...



CU is Currently Unused (reserved)

- The Flow Label field: **designed to enable classification of packets belonging to a specific flow**
 - A flow is a sequence of packets that should receive specific non-default handling from the network
 - Intuitively: 5-tuple of the same source/destination address/port and transport protocol values
 - Without the flow label the classifier must use transport next header value and port numbers
 - Less efficient (need to parse the option headers)
 - May be impossible (fragmentation or IPsec ESP)
 - Further info:
 - RFC 3697 (PS)

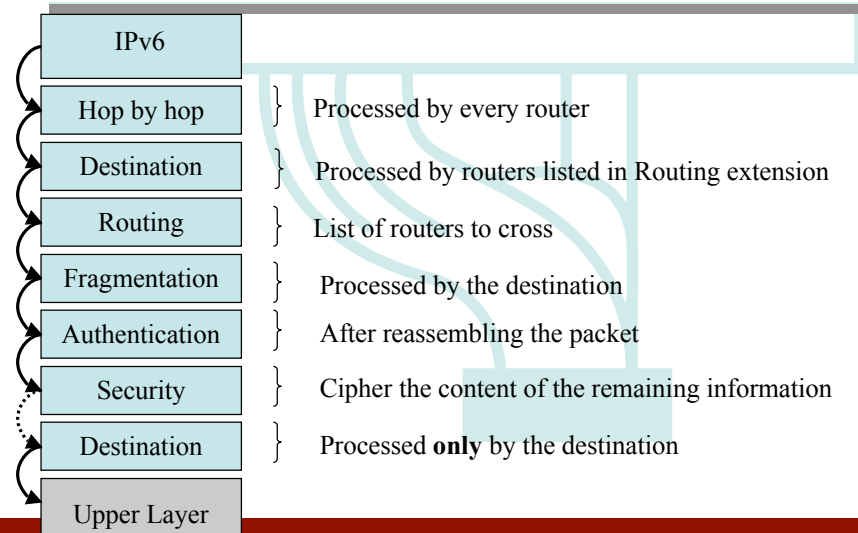


IPv6: Optional extensions

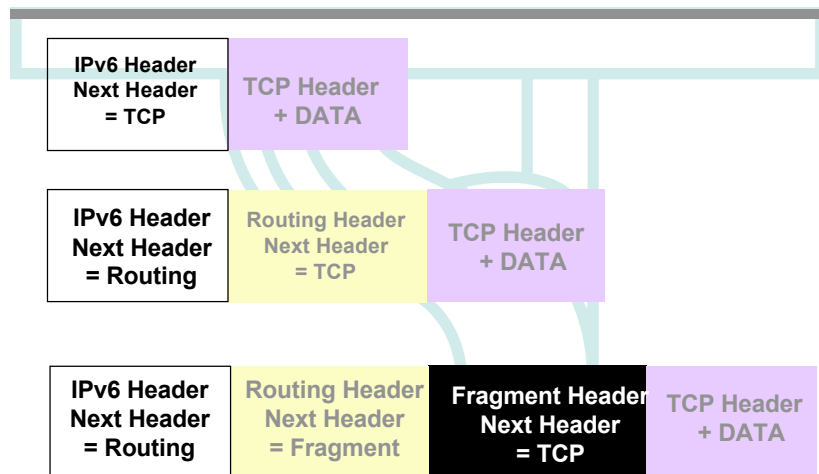
- Hop-by-hop (jumbogram, router alert)
 - Always the first extension
 - Replace IPv4 options,
 - Analyzed by every router.
- Destination
- Routing (loose source routing)
- Fragmentation
- Authentication
- Security



Order is important (RFC 2460)

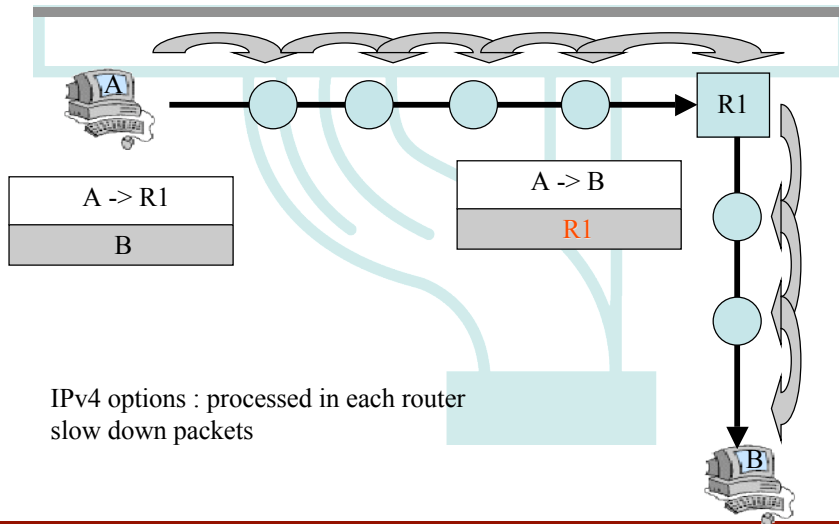


IPv6: Optional headers





IPv4 header options processing

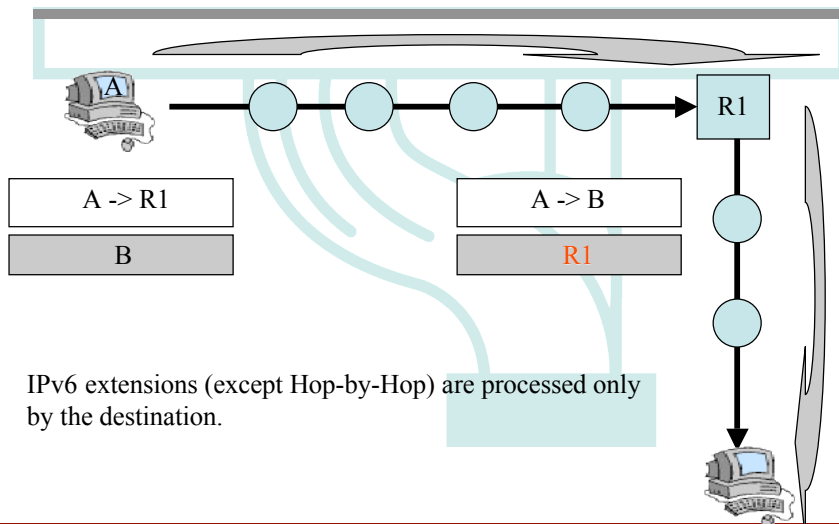


Gosier, La Guadeloupe -March 2007

IPv6DISSemination and Exploitation



IPv6 ext. header processing



Gosier, La Guadeloupe -March 2007

IPv6DISSemination and Exploitation

6DISS



Questions ...



Gosier, La Guadeloupe -March 2007

IPv6DISSemination and Exploitation